



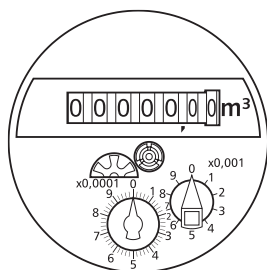
MTKDE

Multi-jet dry dial water meter for cold water

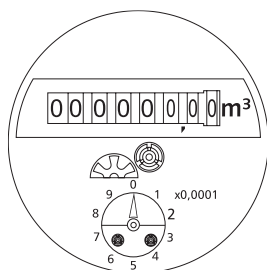
In use by the million worldwide the MTKD provides a high technical standard and a high-quality workmanship. Precise measurement results are achieved, even with difficult water quality or in difficult installation situations.

The MTKD is equipped with the ZENNER D-register and is available in two versions:

MTKD-M with 8-digit-rollers register and modulator disc for non-reactive scanning for radio (wireless M-bus, LPWAN), M-bus or pulse. MTKD-N with 7- or 8-digit rollers for different pulse values and retrofittable with mechanic pulser.



MTKD-N



MTKD-M

Performance characteristics

- High-quality UV-resistant plastic inspection window
- Dry dial register with shielded magnetic coupling
- Operating pressure PN 16
- Available with flood-proof (IP68 hermetically sealed glass/copper register)
- Approved in accordance with MID

Applications

- For the consumption measuring of cold potable water up to 50° C
- Water meter for horizontal and vertical installation

AMR options

- MTKD-N with pulse output (reed) for remote readout
- Standard pulse value 10 l/pulse, optional 1 l/pulse available
- MTKD-M serially equipped with communication interface for:
 - Electronic pulser
 - Wired M-bus
 - Radio via wireless M-bus
 - Radio via LPWAN (LoRaWAN™, SIGFOX)



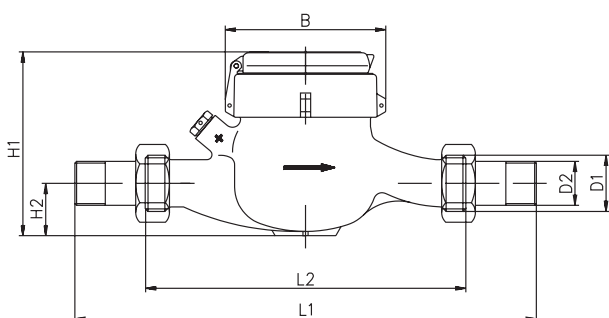
Technical data MTKD-N, MTKDI-N, MTKD-M

Permanent flow	Q ₃	m ³ /h	2,5	4	6,3	10	10
Comparable to nominal flow (EWG)	Q _n	m ³ /h	1,5	2,5	3,5	6	6
Attainable measuring range	Q ₃ /Q ₁	R	100H	160H/40V	R40 160H	R50 160H	R50 160H
Standard measuring range (*)	Q ₃ /Q ₁	R	R80H	R80H/40V	R40 R80H	R40 R80H	R40 R80H
Comparable to metrological class (EWG)	class		B-H	B-H / A-V	A / B-H	A / B-H	A / B-H
Overload flow (**)	Q ₄	m ³ /h	3,13	5	7,88	12,5	12,5
Minimum flow (**)	Q ₁	l/h	100 / 31H	160 / 50H	158 / 79H	250 / 125H	250 / 125H
Start-up flow rate	-	l/h	<10	<10	<18	<18	<18
Display range	min	l	0,02	0,02	0,02	0,02	0,02
	max	m ³	R8 99999.999 R7 99999.99	R8 99999.999 R7 99999.99	R8 99999.999 R7 99999.99	R8 99999.999 R7 99999.99	R8 99999.999 R7 99999.99
Maximum temperature	-	°C	50	50	50	50	50
Operating pressure, max.	MAP	bar	16	16	16	16	16
Pulse value		l/pulse	1/10	1/10	1/10	1/10	1/10
Dimensions:							
Nominal diameter	DN	mm	15	20	25	25	32
		inch	½"	¾"	1"	1"	1 ¼"
Overall length without connectors (*)	L2	mm	165/170	190	260	260	260
Overall length with connectors approx.	L1	mm	245/250	286	378	384	384
Thread meter G x B	D1	inch	¾"	1"	1 ¼"	1 ¼"	1 ½"
Thread connector R x	D2	inch	½"	¾"	1"	1"	1 ¼"
Width approx.	B	mm	95	95	95	95	95
Height (plastic glass) approx.	H1 k*	mm	120	120	120	120	120
	H2	mm	35	25	35	40	40
	H3	mm	15	15	15	15	15
Weight approx.	-	kg	1,2	1,3	2,1	2,1	2,1

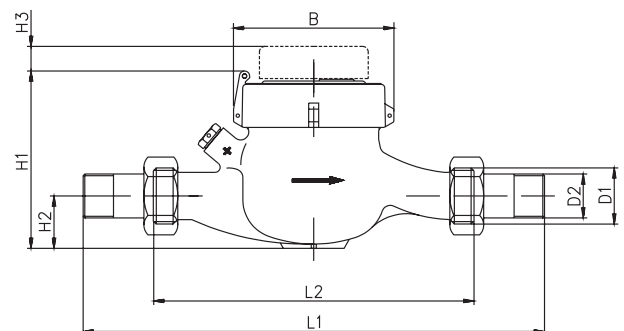
(*) Other measuring ranges (R) and overall lengths on request.

(**) The data refer to the standard measuring range

k* plastic glass



Dimensions MTKD-N/-M, MTKD-L-N/-M



Dimensions MTKDI-N, MTKDI-L-N with pulser