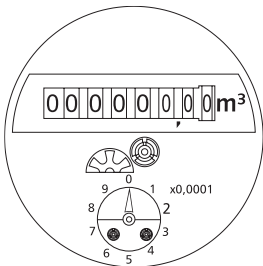


RTKD-N



RTKD-M



## RTKD

### Positive displacement dry dial meter for cold water

RTKD positive displacement meter is a meter for all who place the highest demands on reliability and measuring accuracy. The RTKD records the flow rate using the volumetric measuring principle and guarantees extremely precise consumption recording and accounting. The RTKD positive displacement meter also has a high measuring range and a very good measurement stability.

The RTKD is equipped with the ZENNER D-register and is available in two versions:

RTKD-M with 8-digit-rollers register and modulator disc for non-reactive scanning for radio (wireless M-bus, LPWAN), M-bus or pulse.

RTKD-N with 7- or 8-digit rollers for different pulse values and retrofittable with mechanic pulser.

### Performance characteristics

- Dry dial piston type register with shielded magnetic coupling
- Register can be turned through 355°
- High-quality UV-resistant plastic inspection window
- Operating pressure MAP 16
- Available with flood-proof (IP68) hermetically sealed glass/copper register
- Approved in accordance with MID

### Applications

- For the consumption measuring of cold potable water up to 50° C
- Water meter for any installation position (not overhead!)

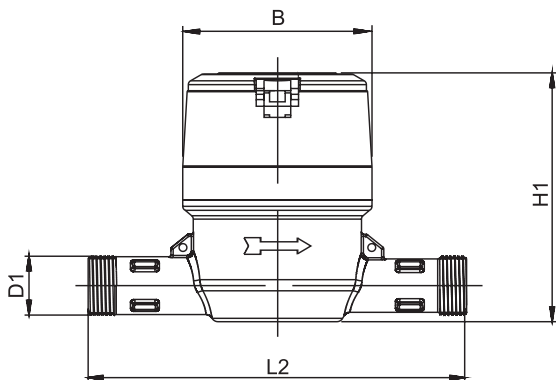
### AMR options

- RTKD-N with pulse output (reed) for remote readout
- Standard pulse value 10 l/pulse, optional 1 l/pulse available
- RTKD-M serially equipped with communication interface for:
  - Electronic pulser
  - Wired M-bus
  - Radio via wireless M-bus
  - Radio via LPWAN (LoRaWAN™, SIGFOX)

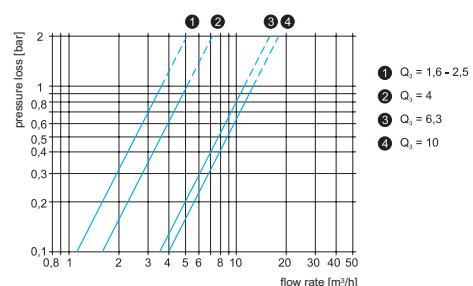
Technical data RTKD												
Permanent flow	Q <sub>3</sub>	m <sup>3</sup> /h	1,6	1,6	2,5	2,5	2,5	4	4	6,3	10	10
Comparable to nominal flow (EWG)	Q <sub>n</sub>	m <sup>3</sup> /h	1	1	1,5	1,5	1,5	2,5	2,5	3,5	6	6
Attainable measuring range	Q <sub>3</sub> /Q <sub>1</sub>	R	250	250	400	400	400	400	400	200	315	315
Standard measuring range (*)	Q <sub>3</sub> /Q <sub>1</sub>	R	160	160	160	160	160	160	160	160	160	160
Comparable to metrological class (EWG)	class		C-H/V	C-H/V	C-H/V	C-H/V	C-H/V	C-H/V	C-H/V	C-H/V	C-H/V	C-H/V
Overload flow (**)	Q <sub>4</sub>	m <sup>3</sup> /h	2	2	3,13	3,13	3,13	5	5	7,87	12,5	12,5
Minimum flow (**)	Q <sub>1</sub>	l/h	10	10	16	16	16	25	25	39	63	63
Start-up flow rate	-	l/h	< 2	< 2	< 2	< 2	< 2	< 2	< 2	< 8	< 8	< 8
Display range	min	l	0,02	0,02	0,02	0,02	0,02	0,02	0,02	0,02	0,02	0,02
	max	m <sup>3</sup>	R8 99.999,999 R7 99.999,99	R8 99.999,999 R7 99.999,99	R8 99.999,999 R7 99.999,99	R8 99.999,999 R7 99.999,99	R8 99.999,999 R7 99.999,99	R8 99.999,999 R7 99.999,99	R8 99.999,999 R7 99.999,99	R8 99.999,999 R7 99.999,99	R8 99.999,999 R7 99.999,99	R8 99.999,999 R7 99.999,99
Maximum temperature	-	°C	50	50	50	50	50	50	50	50	50	50
Operating pressure, max.	MAP	bar	16	16	16	16	16	16	16	16	16	16
Pressure loss at	Q <sub>3</sub>	bar	0,3	0,3	0,75	0,75	0,75	0,55	0,6	0,33	0,33	0,62
<b>Dimensions (*)</b>												
Nominal diameter	DN	mm	15	15	15	15	20	20	20	25	25	32
		Zoll	½"	½"	½"	½"	¾"	¾"	¾"	1"	1"	1 ¼"
Overall length without connectors	L2	mm	110/115	165/170	110/115	165/170	165/190	105	165/190	260	260	260
Overall length with connectors approx.	L1	mm	190/195	245/250	190/195	245/250	261/286	201	261/286	~374	~374	~384
Thread meter G x B	D1	inch	¾"	¾"	¾"	¾"	1"	1"	1"	1 ¼"	1 ¼"	1 ½"
Width	B	mm	89,5	89,5	89,5	89,5	90	90	90	137	137	137
Height	H1	mm	114,5	114,5	114,5	114,5	128	128	128	152,5	152,5	152,5
Weight	-	kg	0,86	0,98	0,86	0,98	1,28/1,35	1,15	1,28/1,35	3,7	3,7	3,77

(\*) Other measuring ranges (R) on request.

(\*\*) The data refer to the standard measuring range



Dimensions RTKD



Typical pressure loss curve