

S 110

Surface-mounted meter PICOFLUX

Connectable –
with 'Flex Plus' register

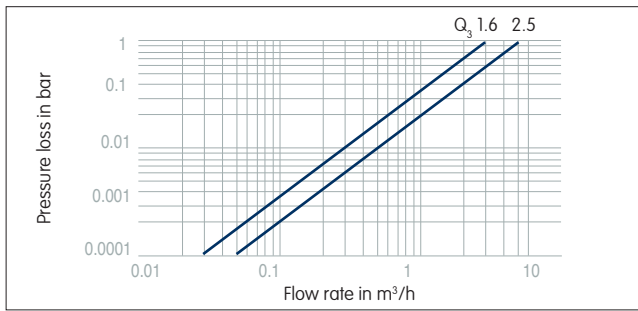


MID Approval
DE-11-MI001-PTB009

- Single-jet meter dry dial EF
- Novel 'Flex Plus' register with inductive communication interface
- Cold water up to 30 °C, hot water up to 90 °C
- Nominal flow rate Q_3 2.5 and 4
- Meter length 80, 110, 130 mm

Meter type	EF				
Meter size / Continuous flow rate	Q_3 m ³ /h	2.5	2.5	2.5	4
acc. to previous nominal size	Q_n m ³ /h	1.5	1.5	1.5	2.5
Nominal size	DN mm	15		20	
	DN inches	1/2		3/4	
Meter length	mm	80	110	110	130
Meter connection thread	inches	G 3/4 B	G 3/4 B	G 1 B	G 1 B

Performance characteristics					
Overload flow rate	Q_4 m ³ /h	3.125	3.125	3.125	5
Transitional flow rate	Q_2 m ³ /h		100		160
Minimum flow rate	Q_1 l/h		62.5		100
Starting flow	l/h	8		7	10
Measuring range (MID)	Q_3/Q_1 H/V			R 40	
Continuous flow rate	Q_3 l/h		2,500		4,000
Temperature class	MAT °C			30 / 30/90	
Pressure rating	MAP bar			16	
Flow capacity at 1 bar pressure loss	m ³ /h		3.3		5.2
Mechanical class				M1	
Min. straight length of inlet/outlet pipe				U0/D0	
Climatic ambient conditions	°C			5 to 70	
Protection class	IP			54	
Accuracy class cold water				±2% / ±5%	
Accuracy class hot water				±3% / ±5%	
Magnetic protection				EN 14154-3	

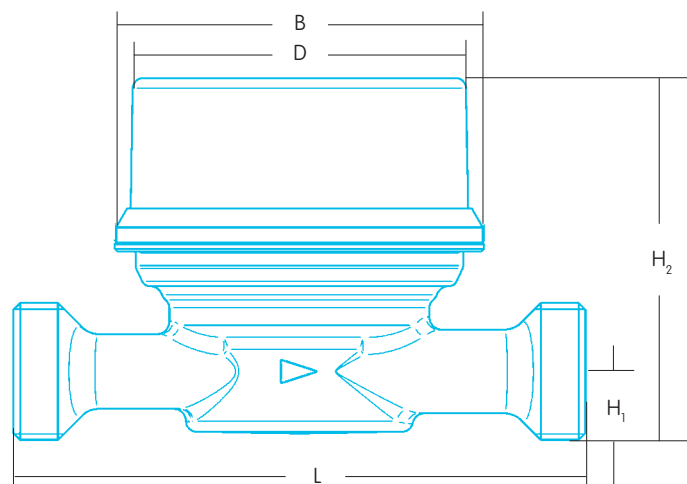


Meter type	EF					
Meter size / Continuous flow rate	Q ₃	m ³ /h	2.5	2.5	2.5	4
acc. to previous nominal size	Q _n	m ³ /h	1.5	1.5	1.5	2.5

Dimensions						
Meter connection thread	inches	G 3/4 B	G 3/4 B	G 1 B	G 1 B	
L Length	mm	80	110	110	130	
B Width	mm			71		
D Diameter register cap	mm			64		
H ₁ Centerline height	mm			57.5		
H ₂ Overall height	mm		71			74,1
Weight	kg		0.3			0.4

Retrofittable function modules	Manufacturer
M-Bus/Puls	ELSTER
Radio	Müller Electronic
	Qundis
	Sontex
	Engelmann

Surface Meter



ELSTER Messtechnik GmbH
 Otto-Hahn-Strasse 25
 68623 Lampertheim, Germany
 T +49 6206 933 0
 F +49 6206 933 100
 E messtechnik@de.elster.com

S110_D 02.03e/ 03.13
 Contents subject to change
 without notice

www.elstermesstechnik.com

