



H5000

Woltmann cold water meter

Product specification

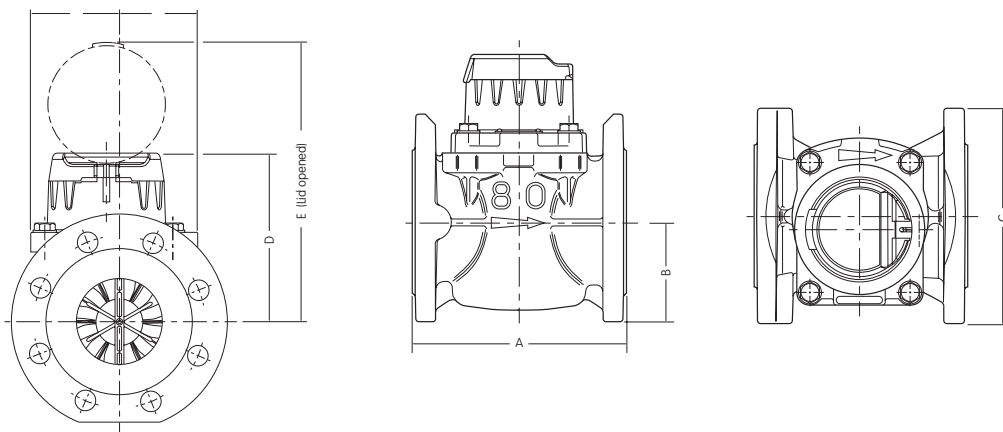


H5000 performance (forward flow) - standard marking

Meter size	Flow	Units	40	50	65	80 low flow	80 standard	100	125	150
Overload flowrate	Q ₄	m ³ /h	50	79	79	79	200	200	200	200
Permanent flowrate	Q ₃	m ³ /h	40	63	63	63	160	160	160	160
Transitional flowrate	Q ₂	m ³ /h	0.13	0.13	0.13	0.13	0.32	0.32	0.32	0.32
Minimum flowrate	Q ₁	m ³ /h	0.08	0.08	0.08	0.08	0.2	0.2	0.2	0.2
Turndown ratio R	Q ₃ /Q ₁	R value	500	800	800	800	800	800	800	800
Starting Flow	Q _s	m ³ /h	0.02	0.02	0.02	0.02	0.05	0.05	0.05	0.05
Headloss at Q ₃	ΔP	bar	0.3	0.37	0.31	0.33	0.3	0.35	0.4	0.4

H5000 performance (forward flow) - extended version

Overload flowrate	Q ₄	m ³ /h	50	79	79	79	200	200	200	200
Permanent flowrate	Q ₃	m ³ /h	40	63	63	63	160	160	160	160
Transitional flowrate	Q ₂	m ³ /h	0.08	0.08	0.08	0.08	0.2	0.2	0.2	0.2
Minimum flowrate	Q ₁	m ³ /h	0.05	0.05	0.05	0.05	0.13	0.13	0.13	0.13
Turndown ratio R	Q ₃ /Q ₁	R Value	800	1250	1250	1250	1250	1250	1250	1250



Dimensions

Meter size	Units	40	50	65	80 low flow	80 standard	100	125	150	
Overall length WS (DIN/ISO)	mm	-/300	270/300	300	300	300/350	360/350	-	500	
Overall length WP (DIN/ISO)	mm	-	200	200	-	225/200	250	250	300	
Overall length (Kent)	mm	311	311	368	-	413	483	483	-	
Height (B)	mm	78	78	86	94	94	106	118	135	
Height (D)	mm	148	148	148	149	149	160	160	160	
Flange diameter (C)	mm	151	166	186	201	201	228	251	286	
Height (E')	mm	248	248	248	248	258	258	258	258	
Height to fit measuring insert	mm	274	274	274	274	285	285	285	285	
Weight (ISO)	kg	11.8	12.2/13.1	13/14.4	14.4	14.1/16.6	19.4/21	20.5	37.5/43.5	
Weight (Kent)	kg	12	13.3	14.9	16.3	17.6	23.6	25.8	-	
Weight of measuring insert	kg	3.2								



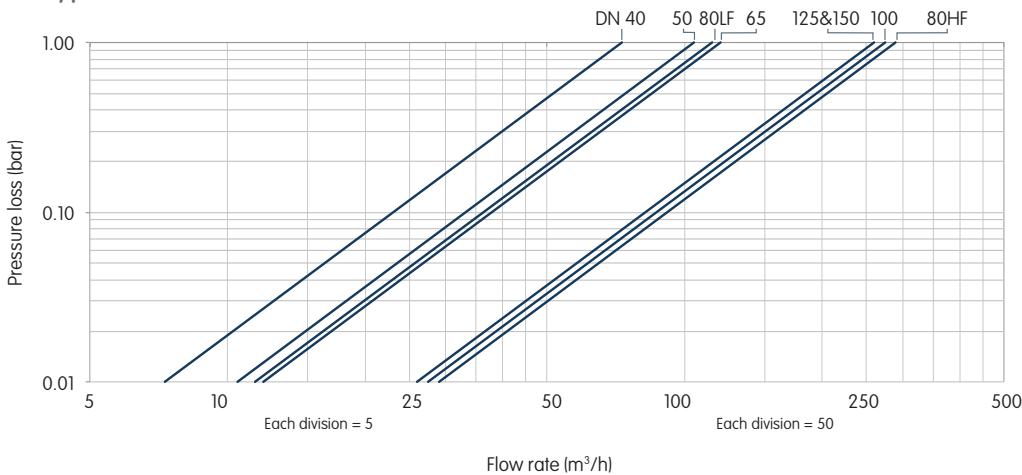
H5000

Woltmann cold water meter

Product specification



Typical headloss curve



Technical specifications

Maximum working pressure	16 bar (MAP 16)
Maximum water temperature	50°C (T50)
Ambiant temperature	-25°C to +55°C
Mechanical environment	M1
Electromagnetic environment	E1
Connection flanges	EN 1092-2 PN16*
Battery life	15 years
Ingress protection	IP68 fully submersible
Installation positions	All - unlimited
Straight pipe requirement	None (U0/D0)
Pressure port (optional)	¼" on top cover

* Others available on request

Electronic register

Volume indication range	9.999.999,9999 m ³
Flow rate indication range	9.999,9 m ³ /h
Other indication	Flow direction, Battery level, Multiple warnings
Outputs	Dual digital pulse output
Additional serial interface (option)	Alternatively Encoded (K-Frame) or M-Bus/Local Bus
Cable length	3m

Pulse output			
Channel 1/2: Volume pulses		Forward & Reverse Flow (F+R) or compensated (F-R)	
Channel 3: Signal output		Tamper & Flow direction (F+R mode)	
Pulse weight		1/10/100/1,000/10,000 Litre	
		DN 50 / 65	DN 80 - 150
Pulse width	≥1 L/imp.	20 ms	5 ms
	≥10 L/imp.	100 ms	60 ms
	≥100 L/imp.	100 ms	100 ms
Default setting		DN 50 -100	DN 150
	Channel 1	10 L/Imp. F-R	10 L/Imp. F-R
	Channel 2	100 L/Imp. F-R	1000 L/Imp. F-R
	Channel 3	Alarm-Flag	Alarm-Flag
Contact load		max. 30 VDC, max. 30 mA	

Pressure Equipment Directive 97/23/EC.

This product is applicable in the supply, distribution and discharge of water and associated equipment and is therefore exempt.